

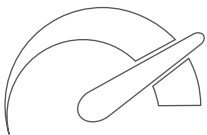
TYPE:

LED MODULE

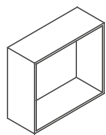
PRO-BOX

Typical applications: edge-illuminated outdoor installations

Patented
Innovative
Lens



HIGH PERFORMANCE



DOUBLE-SIDED
PROJECTS

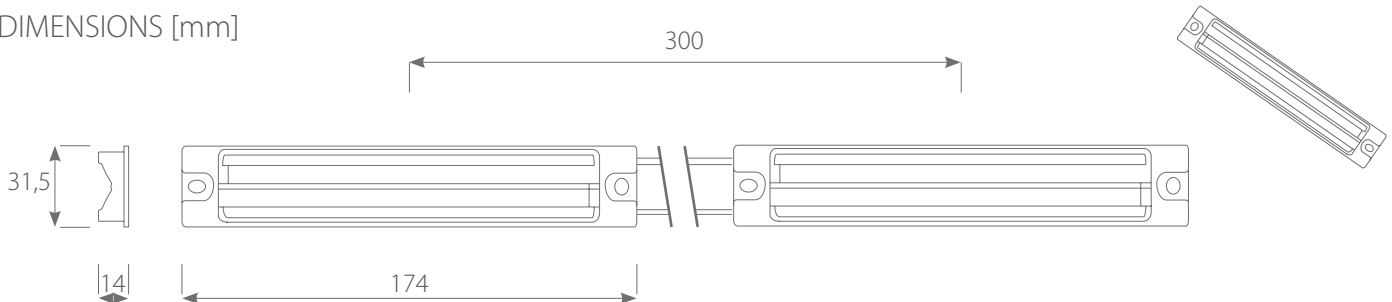


OUTSIDE
APPLICATIONS



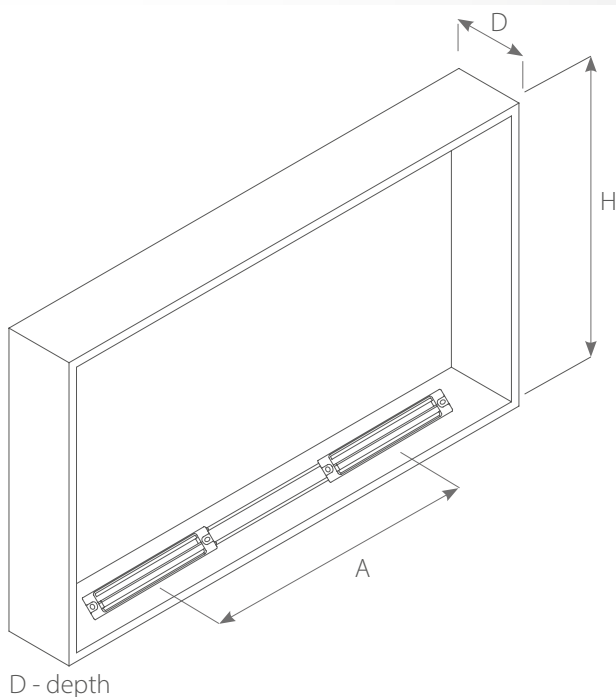
PRO-BOX is an LED module representing the latest lighting technology, enabling exceptional uniformity and brightness in various applications, including double-sided light boxes from approx-120 mm depth. Thanks to advanced lens construction and high-efficiency diodes, modules provide incredible visual effects and offer energy savings and a long lifespan. The installation is effortless with the double-sided adhesive tape and fixing holes. The PRO-BOX module is protected against mechanical damage by robust and optimized plastic housing. Thanks to the IP68 protection degree it can be used in wet outdoor areas. It is possible to connect up to 20 modules in series. The PRO-BOX modules can be separated into individual modules.

DIMENSIONS [mm]



Type	PRO-BOX			
	W65K	W50K	W40K	W30K
Symbol	M169170	M169140	M169130	M169110
Color	white 6500K	white 5000K	white 4000K	white 3000K
Voltage [V DC]	24	24	24	24
Current [mA]	266	266	266	266
Power consumption [W]	6,4	6,4	6,4	6,4
Luminous flux [lm]	830 (±10%)	830 (±10%)	780 (±10%)	780 (±10%)
Light output [lm/W]	130	130	122	122
Beam angle [°]	15 x 85	15 x 85	15 x 85	15 x 85
Degree of protection	IP68	IP68	IP68	IP68
Operating temperature [°C]	-25 - +55	-25 - +55	-25 - +55	-25 - +55
LEDs	OSRAM	OSRAM	OSRAM	OSRAM
Modules in series [pcs.]	20	20	20	20
Divisible [pcs.]	1 module each	1 module each	1 module each	1 module each
Lifetime [h]	50.000	50.000	50.000	50.000
Warranty [months]	60	60	60	60
Packing [pcs.]	20	20	20	20

APPLICATION EXAMPLE



MOUNTING EXAMPLE *

H [mm]	D [mm]	A [mm] *	Arrangement of modules
1000<H<1500	120-300	250	one-sided
1500<H<4000	120-300	250	double-sided

* The module distances (A) can change depending on the requirements of the project.

[TABLE OF CONTENTS](#) 