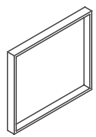


TYPE:

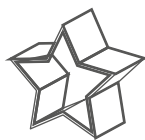
LED MODULE

wide_{2P}

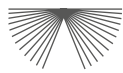
Typical applications: shallow light projects | lowercase block letters | custom applications



SMALL DEPTH
LIGHT PROJECTS



CUSTOM
APPLICATIONS



SPECIAL BEAM
ANGLE

5 years
warranty

DC
12V

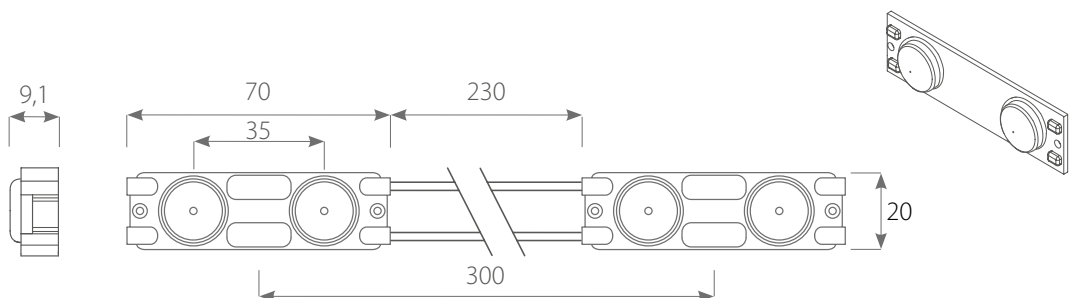
CONSTANT
CURRENT

50 000h

CE

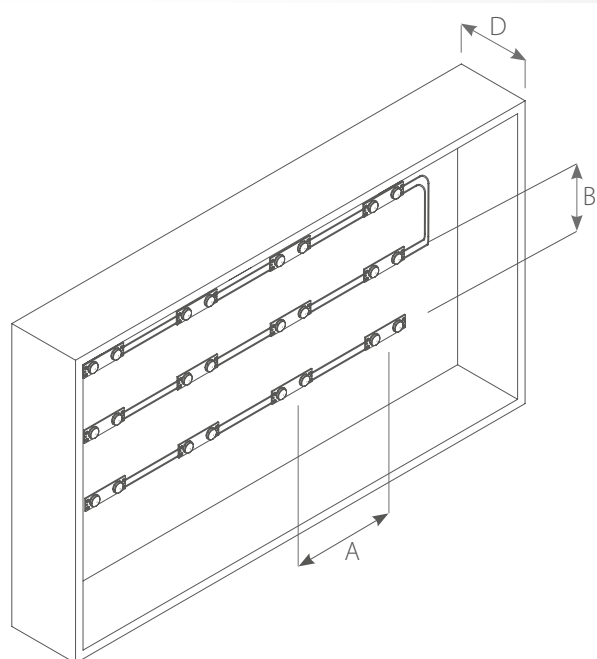
The wide_{2P} module is a product optimized for application in lightboxes with a depth of 40mm to 140mm. A special 170° lens directs the light almost exclusively to the sides, which ensures extremely homogeneous illumination. The advantage of the wide_{2P} modules is a very high degree of protection IP65, which allows them to be used in places exposed to the negative effects of moisture and external application. The modules are powered by 12VDC. Up to 20 modules can be connected in series.

DIMENSION [mm]



Type	wide _{2P}		
	W65K	W40K	W30K
Symbol	M159170	M159130	M159110
Color	white 6500K	white 4000K	white 3000K
Voltage [V DC]	12	12	12
Current [mA]	164	164	164
Power consumption [W]	2	2	2
Luminous flux [lm]	200	200	200
Light output [lm/W]	100	100	100
Beam angle [°]	170	170	170
Degree of protection	IP65	IP65	IP65
Operating temperature [°C]	-20 - +50	-20 - +50	-20 - +50
LEDs	SMD3030	SMD3030	SMD3030
Max. Number of modules in series [pcs.]	20	20	20
Lifetime [h]	50.000	50.000	50.000
Warranty [mc]	60	60	60
Packing [pcs.]	20	20	20

APPLICATION EXAMPLE



D - Depth

MOUNTING EXAMPLE *

D [mm]	A [mm]	B [mm]	Brightness [cd/m ²]
60	150	150	1551
100	200	200	871
140	300	200	580

* The grid can change depending on the illuminated material

TABLE OF CONTENTS 