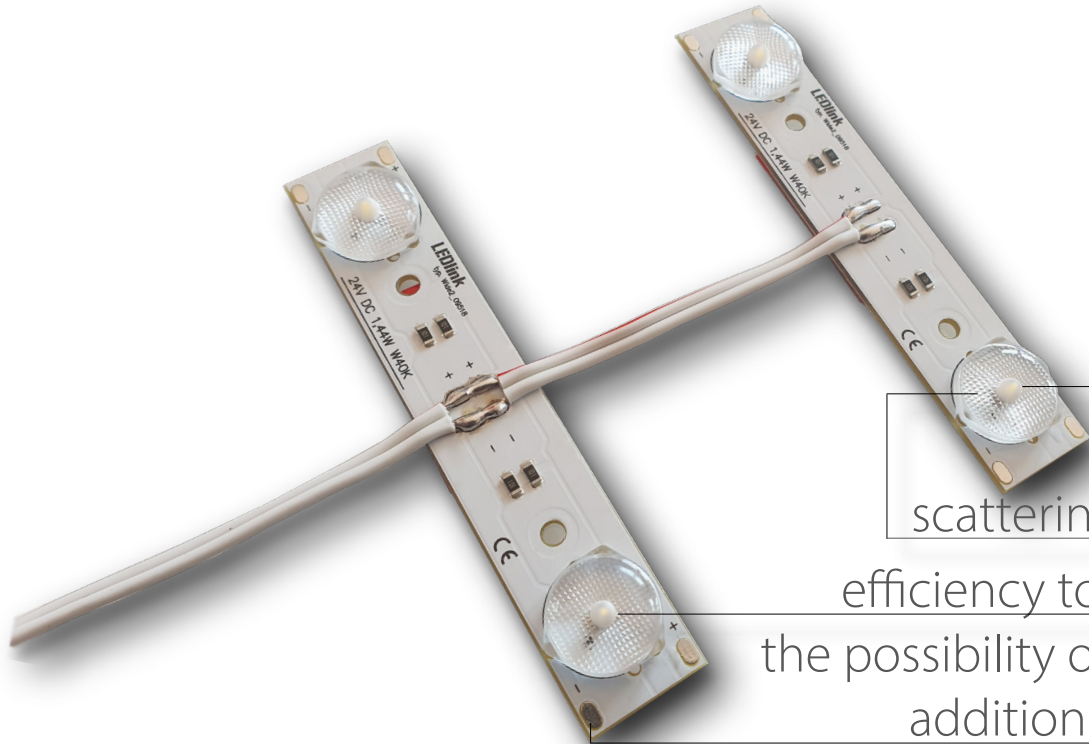


wide_{2_09518}

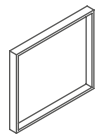
Typical applications: shallow light projects | lowercase block letters | custom applications



CRI 80/90
 scattering lens 175°
 efficiency to 100 lm/W
 the possibility of soldering
 additional modules



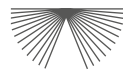
HIGH PERFORMANCE



SMALL DEPTH
 LIGHT PROJECTS



CUSTOM
 APPLICATIONS



SPECIAL BEAM
 ANGLE



175°



DC
 24V



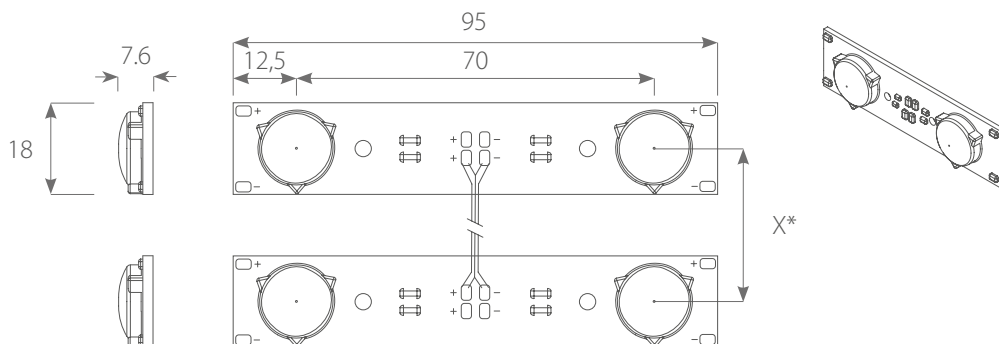
50 000h



CE

The wide_{2_09518} module is a solution intended for interior applications. It is ideal for extremely flat lightboxes with heights from 50mm to 140mm, furniture and interior design elements, e.g. stretch ceilings. The applied SAMSUNG diode guarantees high performance and efficiency. The module is equipped with a special diffusing lens that prevents the glare effect and at the same time provides extremely even illumination of the illuminated surface. Its additional advantage is its high color rendering index at the level of CRI 90, which makes it ideal for applications in places where we want to extract the most vivid and highly saturated colors from illuminated and displayed products or graphics. The ladder arrangement of the modules ensures quick and effective assembly, and the module design allows for free soldering of subsequent pieces directly at the application site. Double-sided 3M VHB™ industrial adhesive tape is used for pre-installation. The wide_{2_09518} module is powered by 24VDC.

DIMENSION [mm]



Typ	Wide _{2_09518}			
	W65K	W50K	W40K	W30K
Symbol	M15417XY	M15414XY	M15413XY	M15411XY
Color	white 6500K	white 5000K	white 4000K	white 3000K
Voltage [V DC]	24	24	24	24
Current [mA]	60	60	60	60
Power consumption [W]	1,44	1,44	1,44	1,44
Luminous flux [lm]*	144	144	144	144
Light output [lm/W]*	100	100	100	100
Beam angle [°]	175	175	175	175
Degree of protection	IP20	IP20	IP20	IP20
Operating temperature [°C]	-20 - +60	-20 - +60	-20 - +60	-20 - +60
LEDs	SAMSUNG	SAMSUNG	SAMSUNG	SAMSUNG
Max. Number of modules in series [pcs.]	60	60	60	60
Lifetime [h]	50.000	50.000	50.000	50.000
Warranty [mc]	60	60	60	60
Packing [pcs.]	30	30	30	30

* the specified parameters refer to the CRI80 version

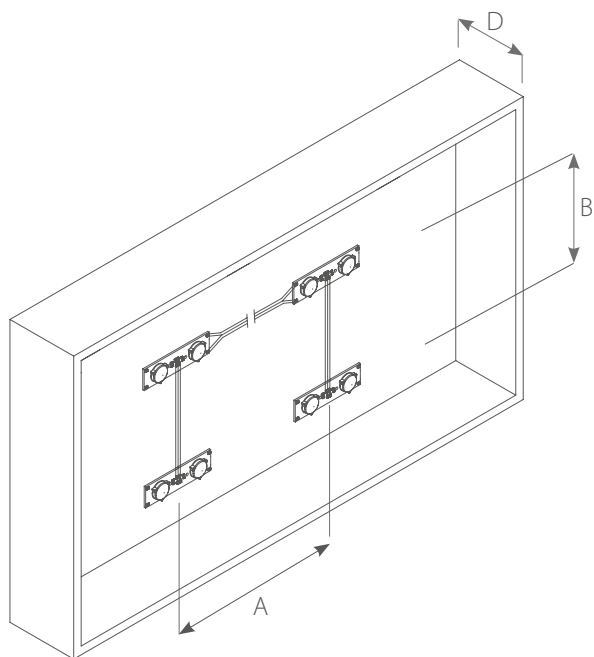
X - means the distance between the modules (from center to center): 25 = 70 mm version, 0 = 100 mm version, 1 = 120 mm version, 3 = 140 mm version, 4 = 160 mm version, 5 = 180 mm version

Y - color rendering index: 4 = CRI80, 5 = CRI90

- Also available color temperatures for the wide_{2_09518}: white 2700K - M15410XY, white 3500K - M15412XY, white 5700K - M15415XY

- At the customer's request, it is possible to adjust the individual distance between the modules.

APPLICATION EXAMPLE



D - Depth

MOUNTING EXAMPLE *

D [mm]	A [mm]	B [mm]	Brightness [cd/m ²]
50	140	70	2445
70	180	100	1332
80	200	120	998

* The grid can change depending on the illuminated material

TABLE OF CONTENTS